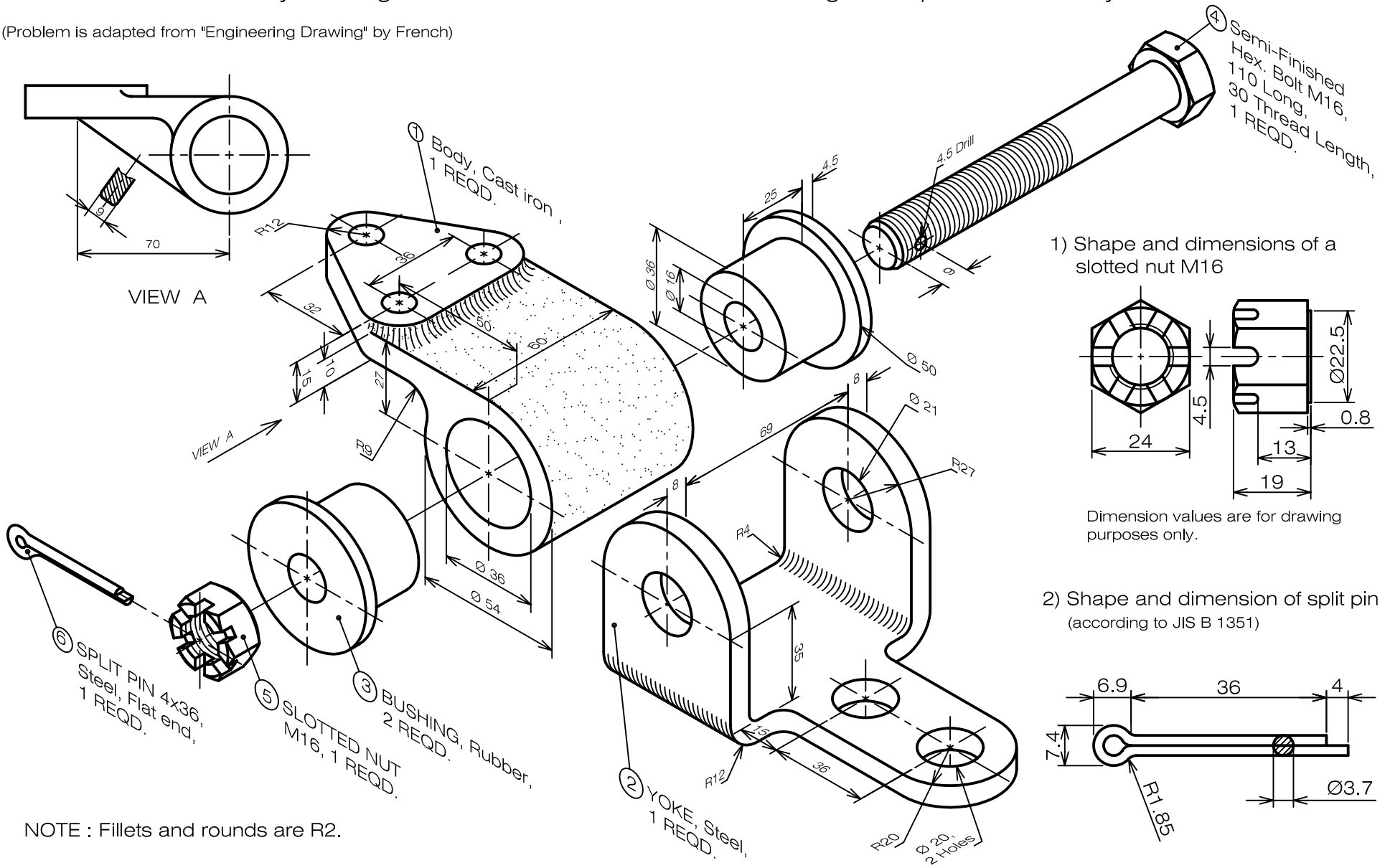


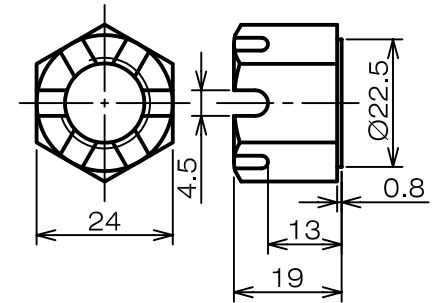
Draw one-view assembly drawing of "ANTIVIBRATION MOUNT" from a given exploded assembly.

(Problem is adapted from "Engineering Drawing" by French)

ASSEMBLY DRAWING



1) Shape and dimensions of a slotted nut M16



Dimension values are for drawing purposes only.

2) Shape and dimension of split pin (according to JIS B 1351)

